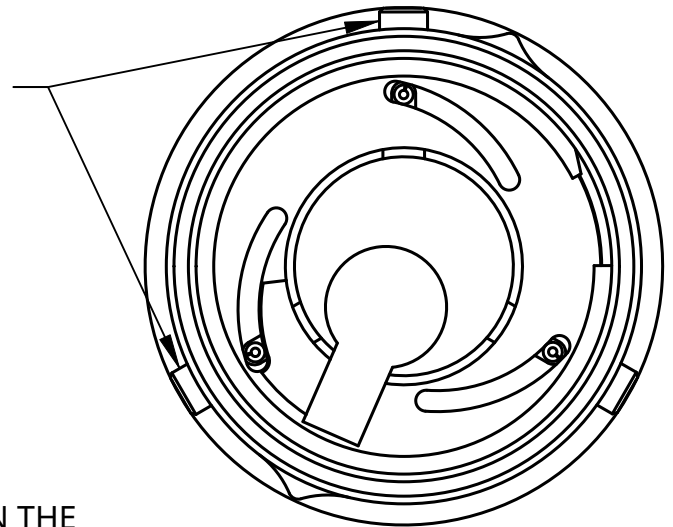
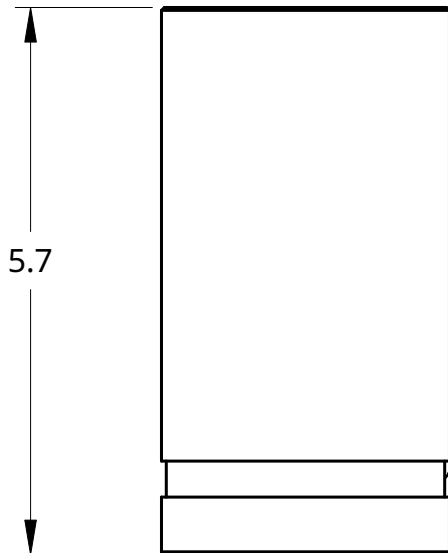


THE CYLINDRICAL LOCKBOX IS EMBEDDED IN THE WALL WITH DOOR SITTING FLUSH TO THE OUTSIDE

3 BOLTS LOCK DOOR SECURELY



SCALE 1:1



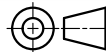
EPOXY SECURES THE LOCKBOX IN THE WALL

UNLESS OTHERWISE SPECIFIED, DIMENSIONS ARE IN INCHES  
 .XX = ±.0-  
 .XXX = ±.00-  
 .XXXX = ±.000-  
 SURFACE FINISH

DO NOT SCALE DRAWING

BREAK ALL SHARP EDGES AND REMOVE BURRS

THIRD ANGLE PROJECTION



	NAME	DATE
DRAWN	PROSAIC ORC	02/04/2021
CHECKED		
APPROVED		

MATERIAL	FINISH

**SELECTIVE SECURITY SERVICES**

TITLE
L4000M CYLINDRICAL LOCKBOX

SIZE	DWG NO.	REV.
A		
SCALE 1:2	WEIGHT	SHEET 1 of 1