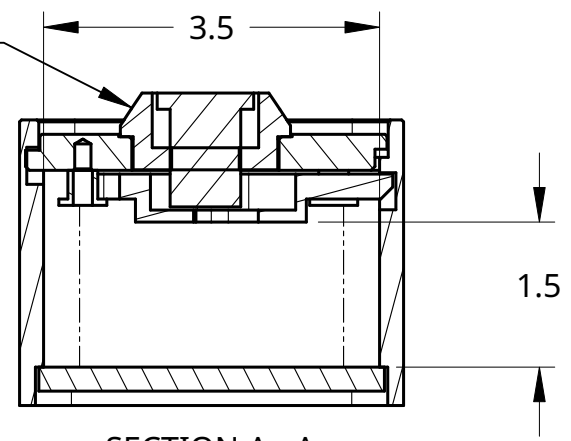
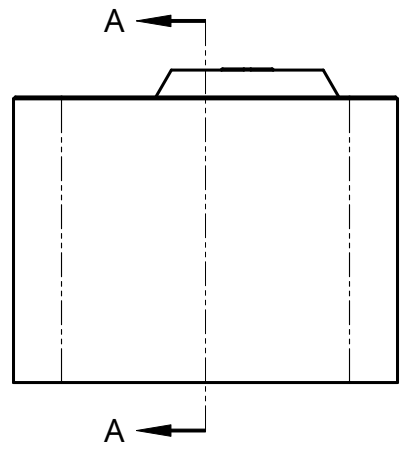
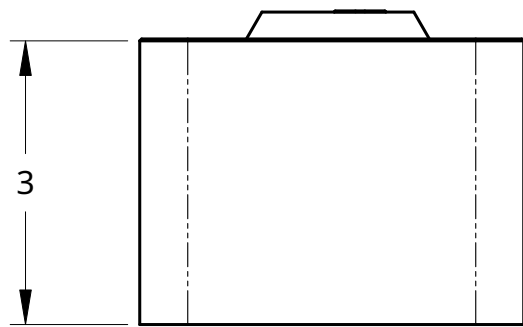


MORTISE COLLAR
TO PREVENT TAMPERING WITH
THE LOCK CYLINDER



SECTION A - A

USE 1.125" MORTISE LOCK CYLINDER
WITH #2 TAILPIECE



UNLESS OTHERWISE SPECIFIED, DIMENSIONS ARE IN INCHES .XX = ±.0- .XXX = ±.00- .XXXX = ±.000- SURFACE FINISH		NAME	DATE	SELECTIVE SECURITY SERVICES	
DO NOT SCALE DRAWING BREAK ALL SHARP EDGES AND REMOVE BURRS THIRD ANGLE PROJECTION 		DRAWN PROSAIC ORC	01/29/2021		
		CHECKED		SIZE A	DWG NO. L3000M
		APPROVED		SCALE 1:2	WEIGHT
		MATERIAL	FINISH	SHEET 1 of 1	REV.